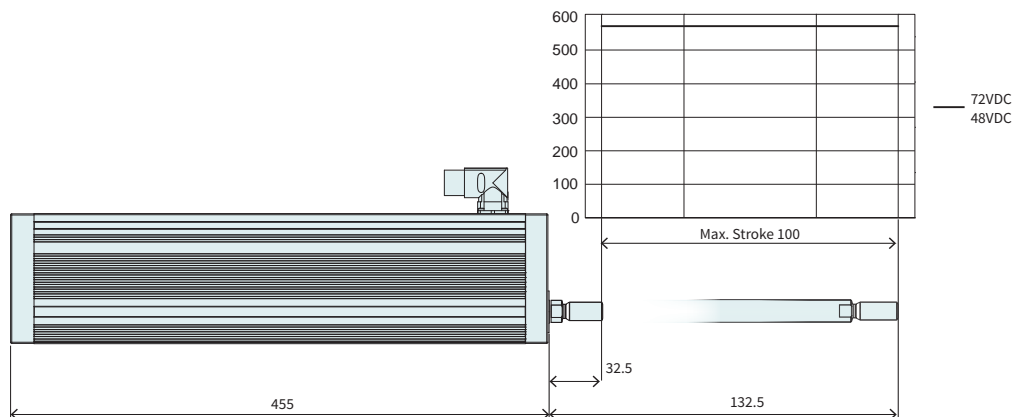


**P04-48x240F/100-C**

**Max. Stroke:** 100 mm  
**Peak Force:** 572 N

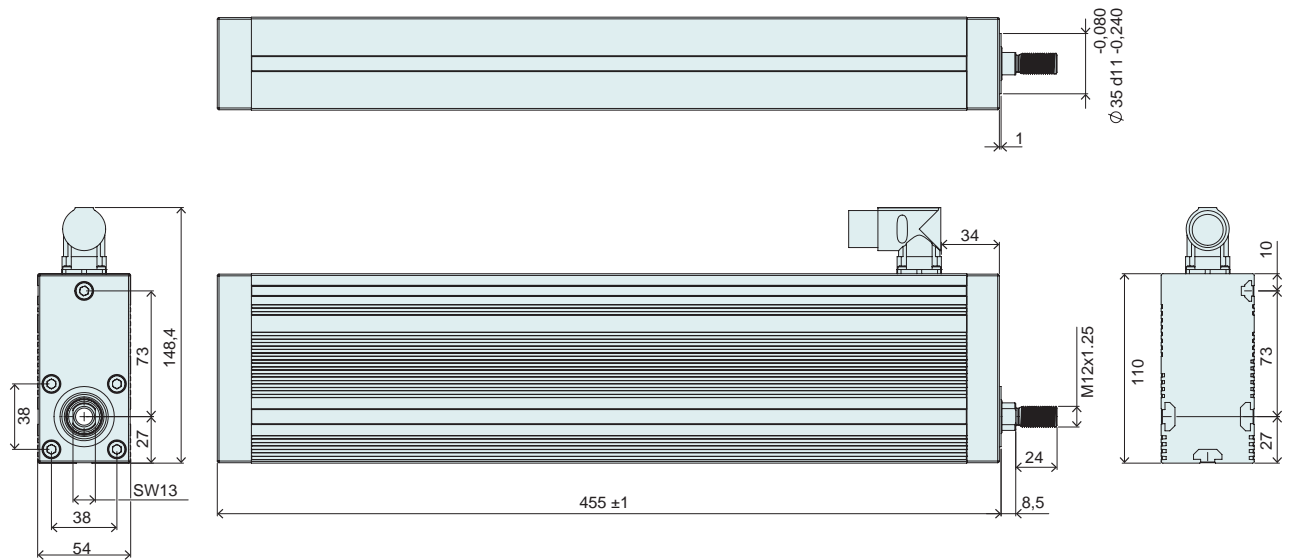


Dimensions in mm

Technical Data P04-48x240F/100

Technical Data P04-48x240F/100				
<b>Stroke</b>				
Max. Stroke	mm	(in)	100	(3.93)
<b>Force</b>				
Max. Force @ 48VDC	N	(lbf)	572	(129)
Max. Force @ 72VDC	N	(lbf)	572	(129)
Max. Cont. Force [Passive cooling / Fan / Fluid]	N	(lbf)	190 / 250 / -	(42 / 56 / -)
Force Constant	N/A <sub>pk</sub>	(lbf/A <sub>pk</sub> )	22	(4.95)
<b>Velocity</b>				
Max. Velocity @ 48VDC	m/s	(in/s)	1.9	(78.9)
Max. Velocity @ 72VDC	m/s	(in/s)	2.9	(119.9)
<b>Position Detection</b>				
Position Resolution	mm	(in)	0.007	(0.0003)
Repeatability	mm	(in)	±0.05	(±0.002)
Linearity	%		± 0.4	
<b>Electrical Data</b>				
Max. Current @ 48VDC	A <sub>pk</sub>		25.9	
Max. Current @ 72VDC	A <sub>pk</sub>		25.9	
Max. Cont. Current [Passive cooling / Fan / Fluid]	A <sub>pk</sub>		8.6 / 11 / -	
Terminal Resistance 25 °C / 120 °C	Ohm		0.97 / 1.3	
Terminal Inductivity	mH		1.1	
Magnetic Period	mm	(in)	60	(2.35)
<b>Thermal Data</b>				
Max. Winding Temperature (Sensor)	°C		90	
Thermal Resistance [Passive cooling / Fan / Fluid]	°K/W		0.54 / 0.31 / -	
Thermal Time Constant [Passive cooling / Fan / Fluid]	s		550 / 320 / -	
<b>Mechanical Data</b>				
Stator Width	mm	(in)	54	(2.13)
Stator Height	mm	(in)	110	(4.33)
Stator Length	mm	(in)	455	(17.92)
Stator Mass	g	(lb)	3555	(7.82)
Rod Diameter	mm	(in)	20	(0.79)
Rod Mass	g	(lb)	1109	(2.45)
Max. shear force to the rod	N	(lbf)	90	(20.25)
Max. torque to the rod	Nm	(lbf·in)	2.5	(22.32)
IP Code			IP 65	

**MOTOR**

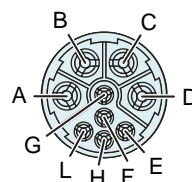


Item	Description	Item-No.
P04-48x240F/100-C	Linear motor P04-48, 100 mm Stroke	0150-2757

**CONNECTOR**

Motor Connector Wiring	C-Connector	
	C-Connector	Wire Color Motor Cable
Ph 1+	A	red
Ph 1-	B	pink
Ph 2+	C	blue
Ph 2-	D	grey
+5VDC	E	white
GND	F	Inner Shield
Sinus	G	yellow
Cosinus	H	green
Temp.	L	black
Shield	Gehäuse	Outer Shield

**C-Connector**



View: Motor connector, plug on



SERVICIO TÉCNICO, CONSULTORÍA, TRAINING Y CANAL DE VENTA OFICIAL

### Instalaciones centrales

Francisco Aristeguieta Centro Tecnológico (F.A.C.T.)  
GI-3162 (Zarautz – Urdaneta) km 2,2  
E-20809 AIA (Gipuzkoa), Spain

[www.larraioz.com](http://www.larraioz.com)

**Tel.** (+34) 943 140 139  
**Fax.** (+34) 943 140 327  
**E-mail.** [info@larraioz.com](mailto:info@larraioz.com)



### Instalaciones en Getaria

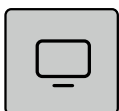
Larraioz Etxea, Eizaga Auzoa,  
Garate Mendi E-20808  
GETARIA (Gipuzkoa), Spain

### Instalaciones América Latina

Carlos Calvo 2480, B8000XAV  
Buenos Aires (Buenos Aires),  
Argentina

### Dirección postal

Larraioz Electrónica Industrial,  
S.L. Apartado de Correos  
193 E-20800 ZARAUTZ  
(Gipuzkoa), Spain



Mechatronics & Robotics



Industrial Automation



Industry 4.0



Vision