

IXP-3N6520/4N6520 3N6515

Arm length
650mm

Vertical axis
200mm

Vertical axis
150mm

Model Specification Items	IXP	N 65		WA		P3		
	Series	Number of axes 3: 3 axes 4: 4 axes	Arm length 65: 650mm	Vertical axis stroke 20 :200mm 15GL :150mm 15GW :150mm	Gripper No gripper Large gripper installed Extra-large gripper installed	Encoder type WA: Battery-less absolute specification	Cable length N: None X□□: Specified length P: 1m R□□: Robot cable S: 3m Cable length described below M: 5m	Applicable controller P3: MSEL

*Controller is not included.
*Refer to "Attached Gripper Types" for the types of grippers installed.



POINT
Note on selection

- Refer to P. 7 for *1 through *6.
- Make sure to select the brake option when the payload is 4kg or more.
- The vertical axis does not support push-motion control.
- The allowable push force should be 90N under condition of having a buffer such as a spring on a tool or the pressing side.
- Refer to P. 7 for the work envelope, and P. 8 for the notes on acceleration/deceleration setting.

*The photograph shows a 4-axis specification.

Robot Specifications

Axis configuration	Arm length (mm)	Work envelope	Positioning repeatability *1	Maximum operating speed in PT mode *2			Payload (kg) *3	
				No gripper	With large gripper (GL)	With extra-large gripper (GW)	Rated	Maximum
Axis 1	Arm 1	360	±0.04mm	2916mm/s (Composite speed)	2916mm/s (Composite speed)	2916mm/s (Composite speed)	2	6
Axis 2	Arm 2	290						
Axis 3	Vertical axis	—	200mm (Note 1)	±0.02mm	240mm/s	240mm/s	240mm/s	
Axis 4	Rotational axis	—	±360°	±0.02°	700°/s	—	—	
	Large gripper GL (Note 2)	—	22mm (Both fingers)	±0.01mm	—	125mm/s (One finger)	—	1.5 (Note 3)
	Extra-large gripper GW (Note 2)	—	30mm (Both fingers)	±0.01mm	—	—	157mm/s (One finger)	2.5 (Note 3)

(Note 1) When the extra-large gripper is installed, the work envelope of the vertical axis becomes 150mm. (Note 2) Refer to the gripper selection guide in our ROBO Cylinder General Catalog. (Note 3) This is the maximum payload on the gripper when it is attached to a SCARA Robot.

Robot Specifications

	3-axis specification	4-axis specification	3-axis specification	
	No gripper		With large gripper (GL)	With extra-large gripper (GW)
Encoder type	Battery-less absolute encoder *			
User wiring	AWG24×6, AWG26×5P (shielded) *User cables are sold separately. Refer to the operation manual for detail.		User wiring is not supported because the gripper wiring is used.	
User piping	O.D. ø4, I.D. ø2.5, 3 air tubes Maximum working pressure 0.8MPa			
Standard cycle time *4 (sec)	0.81		0.81 (When transporting 2kg including a gripper)	
Allowable torque (Axis 4) (N·m)	—	3.06	—	
Allowable moment (N·m)	9.4		Ma: 3.8 Mb: 5.5 Mc: 9.4	Ma: 9.4 Mb: 9.4 Mc: 9.4
Allowable inertial moment from the tip of the vertical axis *5 (kg·m ²)	Rated 0.01 Maximum 0.03	Rated 0.01 Maximum 0.01	Maximum 0.026	Maximum 0.024
Ambient operating temperature/humidity	Temperature 0 ~ 40°C Humidity 20 ~ 85%RH (Non-condensing)			
Unit weight (kg)	21	22	22.3	22.9

*The gripper is incremental type

Attached Gripper Types

IXP-3N6515GL	The large gripper RCP4-GRSLL is installed at the tip of the vertical axis.
IXP-3N6515GW	The extra-large gripper RCP4-GRSWL is installed at the tip of the vertical axis.

Option

Name	Option code	Reference page	Standard price
Brake	B	Refer to our ROBO Cylinder General Catalog	—

*Make sure to select this when the transported object is 4kg or more.

Price List

Specification	Model number	Standard price
3-axis specification	IXP-3N6520	—
3-axis specification with large gripper	IXP-3N6515GL	—
3-axis specification with extra-large gripper	IXP-3N6515GW	—
4-axis specification	IXP-4N6520	—

Cable Length <Per Axis*>

Type	Cable code	Standard price
Standard type	P (1m)	—
	S (3m)	—
	M (5m)	—
Specified length	X06 (6m) ~ X10 (10m)	—
	X11 (11m) ~ X15 (15m)	—
	X16 (16m) ~ X20 (20m)	—
Robot cable	R01 (1m) ~ R03 (3m)	—
	R04 (4m) ~ R05 (5m)	—
	R06 (6m) ~ R10 (10m)	—
	R11 (11m) ~ R15 (15m)	—
	R16 (16m) ~ R20 (20m)	—

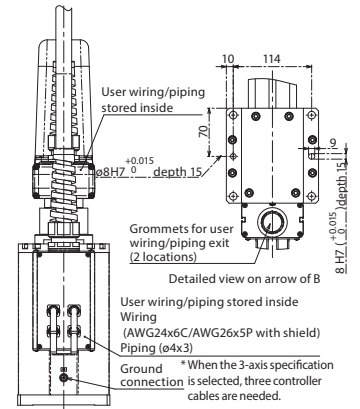
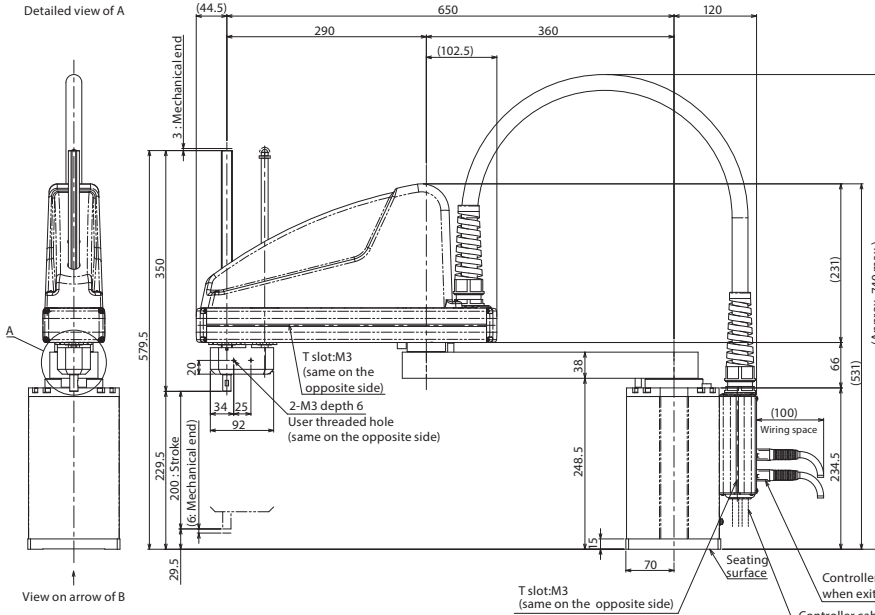
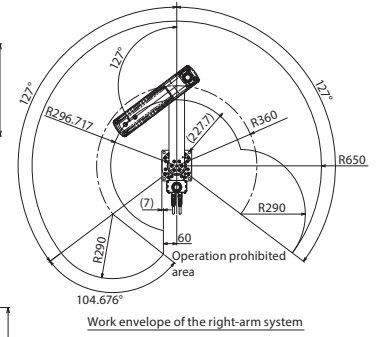
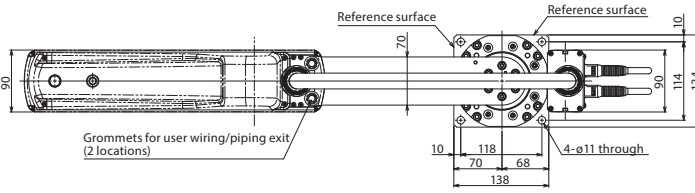
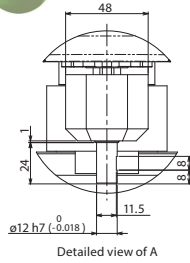
*The 3-axis specification requires three cables, while the gripper specification and 4-axis specification require four cables.

Dimensions

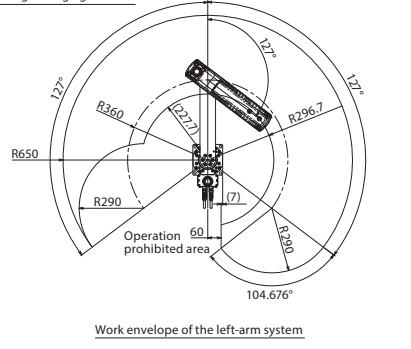
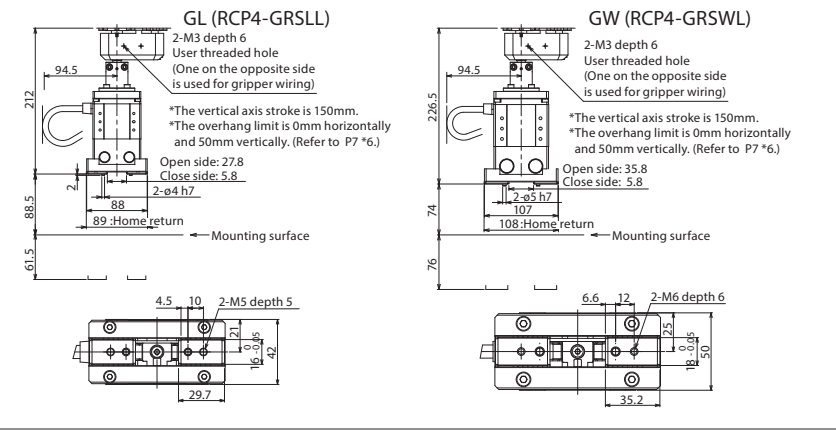


CAD drawings can be downloaded from the website.

www.intelligentactuator.com



<Gripper Specification>



Applicable Controller

IXP series robots can operate with the following controllers. Make sure to select the model depending on the purpose.

Name	External view	Maximum number of controlled axes	Supply voltage	Control method				Max. pos. points	Standard price	Reference page
				Position	Pulse train	Program	Network *Option			
MSEL-PCX/PGX		4	Single-phase 100V ~ 230V	-	-	•	Devicenet CC-Link EtherNet/IP EtherCAT	30000	-	→P37