

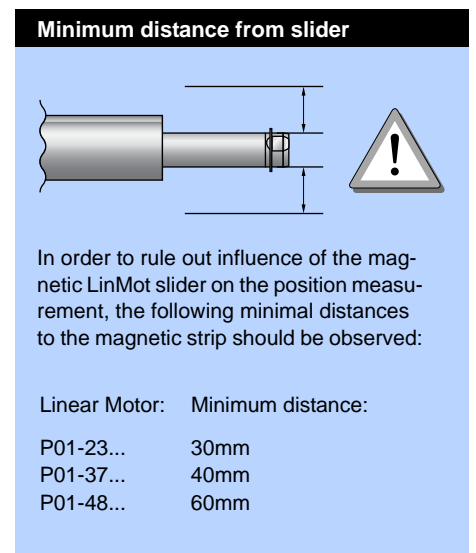
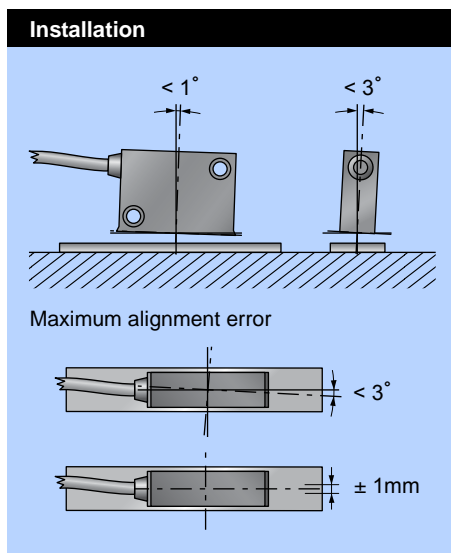
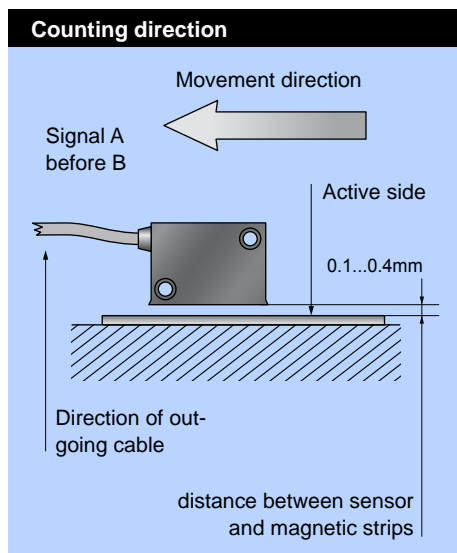
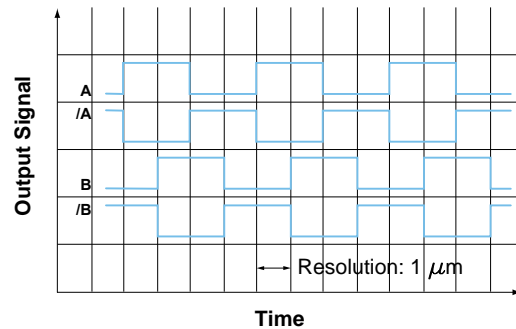
External Position Sensor MS01/D

Non-contacting measuring position sensors, using magnets with integrated processing electronics and differential encoder outputs for the E1100 series Servo Drives.

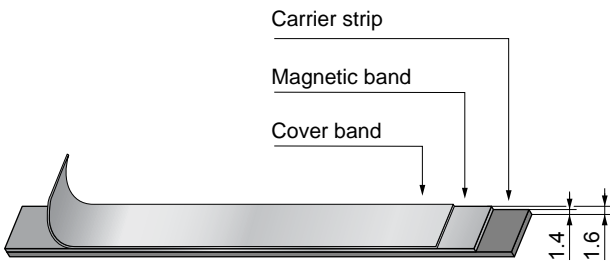
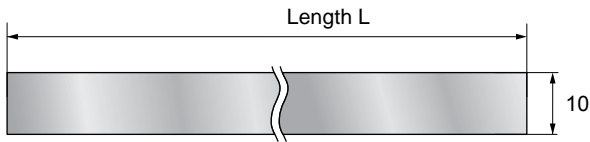
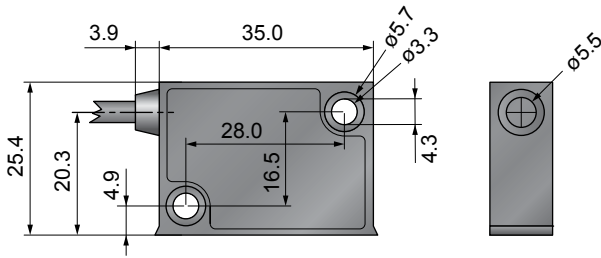
Together with the MB01-1000 magnetic band, the MS01/D position sensor is part of a high-resolution, robust, linear measurement system.

Features:

- Simple installation, by sticking on the magnetic band
- IP67 protection class, not sensitive to dust, moisture, or dirt
- Status display with LEDs directly at the sensor head
- Highest precision - Resolution 0.001mm - System accuracy ±0.01mm.
- Allows high travel speeds of up to 3 m/s
- Compatible with the E1100 series of LinMot Servo Drives.



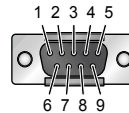
Dimensions



Cables

Cable length	2m, High Flex, PUR
Connector type	Dsub-9 (male)

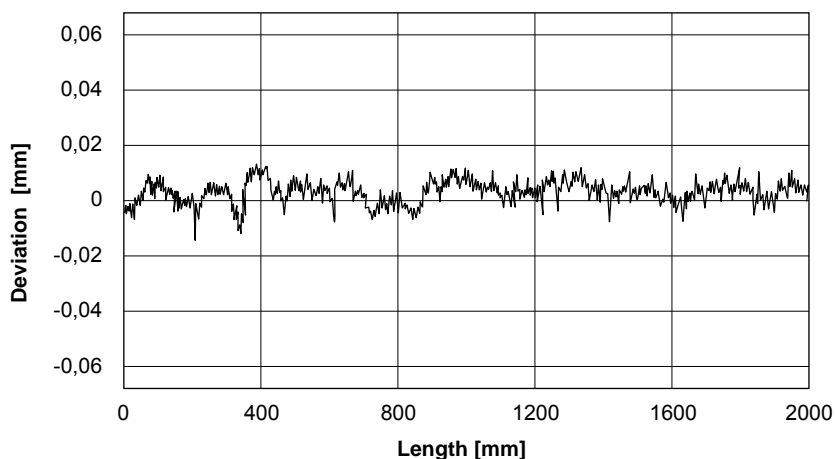
Connector wiring



Pin 1	+5VDC
Pin 2	Channel /A
Pin 3	Channel /B
Pin 5	GND
Pin 6	Channel A
Pin 7	Channel B
Pin 4, 8, 9	n.c.

Technical data magnetic band

Order length	maximal stroke +3.0cm
Width	10mm
Carrier material	spring steel band
Precision class	$\pm 10 \mu\text{m/m}$
Temperature coefficient	$(11 \pm 1) \times 10^{-6} / ^\circ\text{K}$
Storage temperature range	-20...70°C
Storage temperature range	-40...70°C
Protection class	IP 67
Mounting	self adhesive magnetic band



Ordering information

Item	Description	Part Number
MS01-1/D	Magnet sensor 1 μm , A/B (for 1mm magnetic band)	0150-1840
MB01-1000	Magnetic band, 1mm pole partitioning (per cm)	0150-1963
KS025-D/D-Encoder	Encoder Cable, High Flex (Length in m)	0150-3166
KS025-D/D15-Encoder	Encoder Cable, High Flex (Length in m)	0150-3168